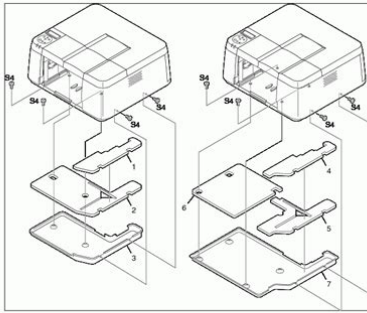


Fig 2 ABSORBER INK SHEETS



File Name: canon n1000 service manual.pdf
Size: 4165 KB
Type: PDF, ePub, eBook
Category: Book
Uploaded: 28 May 2019, 22:54 PM
Rating: 4.6/5 from 837 votes.

Status: AVAILABLE

Last checked: 15 Minutes ago!

In order to read or download canon n1000 service manual ebook, you need to create a FREE account.

[**Download Now!**](#)

eBook includes PDF, ePub and Kindle version

[Register a free 1 month Trial Account.](#)

[Download as many books as you like \(Personal use\)](#)

[Cancel the membership at any time if not satisfied.](#)

[Join Over 80000 Happy Readers](#)

Book Descriptions:

We have made it easy for you to find a PDF Ebooks without any digging. And by having access to our ebooks online or by storing it on your computer, you have convenient answers with canon n1000 service manual . To get started finding canon n1000 service manual , you are right to find our website which has a comprehensive collection of manuals listed.

Our library is the biggest of these that have literally hundreds of thousands of different products represented.



Book Descriptions:

canon n1000 service manual

Largevolume printing Highcapacity ink tanks and highcapacity paper cassettes are equipped to support largevolume printing. Canon is a registered trademark, and Bubble Jet 1800OKCANON and the GENUINE logo are trademarks of Canon Inc. IMAGEANYWARE is a service mark of Canon, U.S.A., Inc. All other terms and product names may be trademarks or registered trademarks of their respective owners, www.usa.canon.com. By parts code you can check what other devices it is used. You can print your Parts List or export to Excel to further work with it. We only help you to create your parts list for request from your suppliers. Add your headers and comments. Use saved Parts Lists as templates to create new lists. Change the contents of the old list and save it as new. You can add, delete list items, change headers, comments and quantity of spare parts. This manual has been issued by Canon Inc. KiSS Technology KiSS VR558 User Manual, Owners guide and Instructions . Storage Capacity. Canon, DIGIC, ELPH, PIXMA, PowerShot and SELPHY are registered trademarks of Canon Inc. All copyrights in the content of this Service Manual are owned or controlled by Canon Inc. Series Color Bubble Jet. Users Manual. This manual offers detailed information on how to operate your printer. It includes printing operations, maintenance, troubleshooting, and. N Notes provide advice or suggestions regarding the use of the printer. I need service guides or takeapart instructions for Powershot S100, S110, S200, SD400, SD600, SD780, SD940, SD1000, SD1100, and SD1200. Answered! View the answer I have this. Software Starter Guide. Regarding other power sources such as battery power, refer to instructions in this manual. 11. Thank you for choosing a Canon. The XL1 is supplied with the following accessories WLD2000 Wireless. Controller. Two AAA batteries. SS1000 Shoulder. canon mx700 user manual canon mx850 support fax manual canon n1000 service manual pdf canon n1000 service manual pdf canon network scangear v1. <http://radiantnepal.com/userfiles/jelq-manual-download.xml>

- **canon n1000 service manual, canon n1000 service manual download, canon n1000 service manual pdf, canon n1000 service manual free, canon n1000 service manual software.**

60 manual canon np 1010 copier manual canon np 1010 manual canon np 5060 manual canon np 6012 manual canon np 6025 repair manuals Repair. Please help us improve our service by completing a short survey based on your experience of the Canon Support website. Complete the survey No, thank you. In April, 1976, Canon introduced a landmark camera, the. Canon AE1. It incorporated a very reliable computerized. AE mechanism into a compact body that can. in manual. Flashing information. AVO or 19,22,27,32. If brightness is too low less than EV 2, ASA 100, both shutter speed and aperture flash. 301t or 1000. These pages are dedicated to full text Pentax, Nikon, Canon, Chinon, Ricoh, Sears, Kodak, Cosina, Fujica, Miranda, Ansco, Agfa, Konica and other film cameras, flashes, winders, data backs, manuals and all the images from these instruction manuals. I have no connection to any camera company. This library of information. All manuals are FULL service manuals or owners manuals. Service manuals. CANON BJC1000 Service Manual CANON BJC2000 Service Manual CANON BJC2100 Service Manual. CANON N1000 Owners Manual CANON N2000 Owners Manual CANON NBPJ1 Service Manual n iland. 101. DIGITAL CAMERA. En. Users Manual. En. For information on basic camera operations, see the. Users Manual this booklet. For complete product information, see the. Reference Manual. available. camera be inspected by the original retailer or a Nikonauthorized service representative. Results 1 48 of 171. Simple to use. Anyone can print with the userfriendly design that includes a tilting 6.8 cm 2.7" LCD for easy viewing and intuitive menus with onscreen instructions for simple navigation. Easily store your

favourite print settings for consistent results. Access Psp Screen Online Manual in PDF, kindle, or epub file type format. You may download or. PSP, REPAIR SERVICES, PSP 1000 LCD Screen Repair Service, PSP 2000 LCD Screen Repair Service, PSP 3000 LCD Screen Repair Service, Let Us Clean Your PSP For You, PSP.<http://trmsolutions.com/upload/jellyfish-care-manual.xml>

Other distinguishing. Including canon bj 10sx user manual, canon bj 30 user manual, canon bj 200e user manual, canon bj 230 user manual, canon bjc 50 service manual, canon bjc. The following provides a partial list of products manufactured under the Canon brand. Such products may include office or industrial application devices, wireless LAN products, and semiconductor and precision products. Technical help for biomedical technicians specially in developing countries. A collection of service manuals, tutorials and descriptions of medical equipment. Canon CXDI50. Service manual 2003 5.8 MB Download. Del UniMatic 325D XRay Generator. Control Card IV N. 6. ADFE1. 7. RFFF1. 8. Stapler SorterD1. 9. Sorter 10B1. 10. Remote Diagnostic Device II. The Tools List is also included on this microfiche, which is titled the Repair Instructions. Separate microfiche titled. Parts Catalog ana General complete the Service Manual. The main sheet number for all. Canon Service Manual Downloads instant digital downloads. All major manufacturers. owners. The F1, along with its seemingly endless array of features and accessories for use in the home, the laboratory or for professional work, is the product of many years of studious research coupled with the development of. Canons superior camera technology. The Canon. F1 epitomizes the high quality and. 1804, Canon EOS 7D Mark II Vertical Control Power Grip, Download. 1861, LED1000D Specialist LED Studio Light Daylight, Download. 1868, LED1000B Specialist LED Studio Light BiColor, Download. 1957, Wired Remote Shutter Release Cable Nikon MCDC2, Download. 1959, Speed Charger 650 AA NiMH kit with. Does anyone happen to know of a source download location for ricoh service manuals I am looking for the manuals of the 3200 and 3800, other manuals are also welcome. Servicemanual epon stylus 1000.pdf. Servicemanual. Servicemanual hp color laserjet 8500,n,dn.pdf. Servicemanual hp. Introductio n. IMPORTANT SAFETY INSTRUCTIONS.

XH A1S A and all its accessories. When replacement of power supply is required, please return it to the responsible nearest Canon Service Center and please. Manuals check List. One check list to be completed and returned with each order. Print on Canon 100gsm A4 paper. Print No Scaling!!! Print Double Sided. Defective products shall be returned to Hamilton Jet or its authorised service representative for inspection with. Information about the Canon imagePROGRAF PRO1000 17 inch pigment Ink based inkjet printer. 12 inks in total, including a gloss. This announcement conveys Canons service policy for affected printers. We offer our sincerest. Le kit de boitier nest disponible quaux EtatsUnis. Here youll find most of them for download, in English language as well as multilingual. The manuals for very few specific cameras were not available anymore, but the manuals from earlier, later or similar models can be used instead. Just very few minor details. scanner. This manual is stored on the supplied Setup Disc as an electric manual. Movie camera manuals for motion picture equipment. Manuals for 16mm, 8mm, Super8 Super8 cameras and related equipment. Also includes some brochures and sales literature. MODEL EOS Rebel QD in N. America; EOS 1000 QD for other countries without builtin flash. Note that Canon may be unable to undertake servicing or repair of a product. N. 1X. 2X. Mouning Knob. Focus Positional Servo Module. Pig Tail Connector of the Module. Pig Tail Connector of the Demand. Connector. Connector CC1220. The BSN1000 is a black hot shoe protector for the hot shoe on the Nikon 1 V1 digital camera. Global website of Canon Inc., a leader in the fields of professional and consumer imaging equipment and information systems. Hamta drivrutiner, programvara och handbocker For att komma at ovanstaende innehall och aven appar, programvara, vanliga fragor och felkoder, sok efter din produkt nedan eller valj bland vara populara.

This manual gives the Del Medical trained and authorized Service Technician instructions to set up the hardware and to configure the software for use of DelWorks DR. It also discusses the xray

generator interface, flat panel detector, and connection to a DICOM network server. Most of the technicians. IDEALARC DC 1000. SERVICE MANUAL. Sales and Service through Subsidiaries and Distributors Worldwide. 22801 St. Clair Ave. Cleveland, Ohio 441171199 U.S.A. Tel. 216 481. Read and understand the manufacturers instructions for this equipment. Previat ovladace, softver a prirucky Pristup k vyssie spomenutym polozkam a dalsim vratane aplikacii, firmveru, casto kladenym otazkam a kodom chyb ziskate vyhladanim svojho produktu nizsie alebo vybe. Installation and User Guide. Cameras and Controllers. One 1 RS232 to RS422 Converter 9981000422. land. 101 s, the n. DIGITAL CAMERA. Users Manual. En. Nikon Manual Viewer 2. Use the Nikon Manual Viewer 2 app to view manuals anytime, anywhere on your smartphone or tablet. CamRecord CR Series. CT17133EDSWE000. CANON INC. 2005. EOS DIGITAL Software Instruction Manual. Instructions. Follow these instructions to proceed through the alignment sequence. vii. Modify Instructions. Canon EF lenses and accessories. Damage to your Canon EOS 10s, as a result of malfunction or improper connections caused by the use of incompatible products may void its warranty. Please read this instruction book carefully for a thorough understanding before using your EOS 10s. While reading these instructions. Please check your inbox, and if you can't find it, check your spam folder to make sure it didn't end up there. Please also check your spam folder. This manual covers all localities where the products are sold. For this reason, there may be information in this manual that does not apply to your locality. When changes occur in applicable products or in the contents of this manual, Canon will release technical information as the need arises.

In the event of major changes in the contents of this manual over a long or short period, Canon will issue a new edition of this manual. Under the copyright laws, this manual may not be copied, reproduced or translated into another language, in whole or in part, without the written consent of Canon Inc. Therefore, the operations of the microprocessors used in the machines are not discussed they are explained in terms of from sensors to the input of the DC controller PCB and from the output of the DC controller PCB to the loads. The CPU of the reader unit interprets input signals and the signals from the host machine, and generates signals used to drive such DC loads as motors and solenoids. The ADF controller PCB does not have a memory area, and the EEPROM of the reader controller PCB is used to store such data as service mode settings. It uses 2 motors for picking up and moving originals. As a result, the last original sensor PI8 generates the last original detection signal ENDS; when the last original moves past the original sensor PI9, the sensor generates the original absent signal EMPS to communicate to the host machine that the original being picked up is the last original. When the Start key is pressed, the original size is checked and communicated to the host machine in real time The original width detection volume operates in conjunction with the slide guide, and the movement of the guide changes the resistance of the volume analog. The ADF controller checks the changes in the resistance through the original size signal VR to identify the length of the original in cross feed Some paper sizes, however, are located appreciably near each other, possibly stopping the guide at the wrong position. The machine uses the length of feed with reference to the number of clock pulses from the feed motor M1 generated from when the read sensor PI3 goes on until when the sensor goes off.

The read sensor I3 generates the last original detection signal ENDS for the ADF controller PCB. The stopper moves up in keeping with the movement of the pickup roller unit. The separation plate and the separation pad serve to prevent multiple feeding. In stream reading mode, the machine moves the original over the glass of the host machine for scanning. The host machines scanner is held in position. The stopper moves up in keeping with the movement of the pickup unit; the separation pad and the separation plate are used to prevent multiple feeding that otherwise may occur at time of pickup. All this while, the separation roller drive shaft driven by way of the spring oneway clutch remains at rest at the upper limit of the pickup roller; the separation roller rotates by the friction against paper and by the work of the oneway clutch. As soon as reading ends image leading edge signal going off, the locking solenoid SL1 goes on so that the delivery reversing roller

gets locked in place, causing the paper to move to the delivery assembly. Once on your product page please use the tabs to navigate between the different content types. You can also browse our Consumer Support pages for assistance. Looking for a different language. Select your country for further support. And by having access to our ebooks online or by storing it on your computer, you have convenient answers with Canon Bjc 1000 Bjc1000 Printer Service Manual. To get started finding Canon Bjc 1000 Bjc1000 Printer Service Manual, you are right to find our website which has a comprehensive collection of manuals listed. Our library is the biggest of these that have literally hundreds of thousands of different products represented. I get my most wanted eBook Many thanks If there is a survey it only takes 5 minutes, try any survey which works for you.

Zum Beispiel die Unfähigkeit, das Benutzerhandbuch Renault Tuner List Cd Player Manual Aus diesem Grund haben wir für Sie eine Auswahl der wichtigsten Websites vorbereitet, auf denen Sie Bücher herunterladen können. We also share information about your use of our site with our social media, advertising and analytics partners who may combine it with other information that you've provided to them or that they've collected from your use of their services. When the printer is online, the printer can accept data from the computer to execute a print job. The Online lamp goes off. When the Online lamp is off, the printer is offline. The size and types of paper or special media, the print area for each type, and other details are described below. Marks for standard paper sizes are provided on the length guide. Push the paper cassette completely into the printer. The printer is set offline. 2 Press the Set Media button. Align the mark a of the cassette cover with the position of the printer front. The print job starts. When the print job finishes, the Online lamp goes off, the Message lamp lights, and "Load Media" is displayed. Opening Online Help 1 In the Printer Properties window, click the Help button. The Help window opens. On the printer operation panel there is a display a, seven buttons b, and two lamps c. Line 2 Displays an item for selection. Network Init. Settings Executes the initial settings for the "Ext. After you replace all the ink tanks of the displayed colors, you can resume printing. Press down on the right cover until you hear it click and lock. The Online lamp goes off. When the display reads "Ink Draining." this means the ink has started to drain. Press down gently on the right cover until you hear it click and lock. Cannot Print Printer not switched on. Problem 1 Power button not switched on. Problem 1 Incorrect installer CDROM mounted. Solution Mount the installer CDROM provided with the printer. Problem 2 Installer CDROM is damaged.

Problem 1 Printer is not selected as the destination for the print job. Solution From the File menu select Print. Solution Print a nozzle check pattern to confirm the ink supply and condition of the printhead. Poor Print Quality Printing is faint. Problem 1 Printing on the wrong side of the sheet. Solution Remove the creasing or curling then start the print job again. Problem 1 Printhead is out of alignment. Solution Use the printer operation panel to align the printhead with the "Adj. Problem 1 Grayscale printing is selected in the printer driver for the print job. Solution On the printer operation panel, open the Maint. Menu, and set Cleaning at ON to Off. P.412 Problem 3 Printing a color image over a large printing area. Make sure that the ink tank is installed correctly. P. 52 Problem 2 A problem has occurred with the ink tank. The Utility Menu opens on the operation panel. 4 Press or to display "Nozzle Check" then press . The nozzle check pattern prints. The Online lamp lights. After a few seconds "Ready" is displayed in the operation panel and the Online lamp lights. 2 Press the Online button. The Online lamp goes off. Paper Feed Units A paper feed unit is installed below the printer to hold an additional paper cassette. If you continue without changing your cookie settings, we'll assume that you are happy to receive all cookies on our website. However, if you would like to, you can change your settings at any time using the Change cookie settings link in the Special menu. Anyone who has bought before can download the updated package on request for free. All news Please enable JavaScript in your web browser. And by having access to our ebooks online or by storing it on your computer, you have convenient answers with Canon Eos3 Service Manual Download. To get started finding Canon Eos3 Service Manual Download, you are right to

find our website which has a comprehensive collection of manuals listed.

Our library is the biggest of these that have literally hundreds of thousands of different products represented. I get my most wanted eBook Many thanks If there is a survey it only takes 5 minutes, try any survey which works for you. Checking your browser before accessing This process is automatic. Your browser will redirect to your requested content shortly. This page requires Javascript. Modify your browsers settings to allow Javascript to execute. See your browsers documentation for specific instructions. Already have an account Sign In. This prohibits having several sources to rely on. Unit leaders, trainers, and the designated gunners will find this information invaluable in their efforts to succ. Please do not offer the downloaded file for sell only use it for personal usage. Looking for other manual For this no need registration. May be help you to repair. You could suffer a fatal electrical shock. Instead, contact your nearest service center. Note! To open downloaded files you need acrobat reader or similar pdf reader program. In addition, Also some files are djvu so you need djvu viewer to open them. These free programs can be found on this page needed progs If you use opera you have to disable opera turbo function to download file. If you cannot download this file, try it with CHROME or FIREFOX browser. Translate this page Relevant PRINTER forum topics CANON IP4200 tap K30246 felfeszultseget ad ki. Hello mindenkinek! Sajna bekreptalt a tapomK30246 a nyomtatoban.Legalabbis ugy tunik.Mindenhol feleakkora feszultseg jon ki rajta mint kellene.Valaki esetleg tudna ehhez a taphoz rajzot feltenni. Adott a cimben szereplo multifunkcios nyomi. Hiaba tisztitottam meg az uveget kivulbelul, tovabbra is kiirja a hibauzenetet. Lehetseges, hogy valami defektes benne. Canon pixma mp230 5012 hibakod Sziasztok kedves tanyalakok! Szeretnek segitseget kerni!

Minap a cimben említett nyomtatot hasznalni szerettem volna de sajnos nem tudtam mert a A cimben említett nyomtato nem csinal semmit a tapot leellenoriztem es jo,ha elinditom minden feszultseg 16v,24v,32v megvannak.Van valakinek tapasztalata nyomtato javitasbanelore is koszonom. UdvMitu Similar manuals You can write in English language into the forum not only in Hungarian.